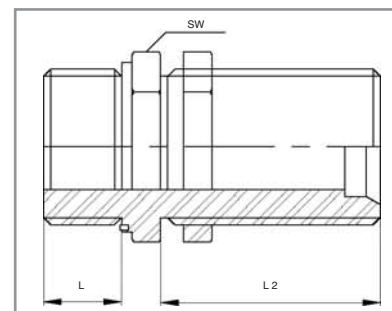


# SCHOTTADAPTER

Mit Weichdichtring inkl. Kontermutter



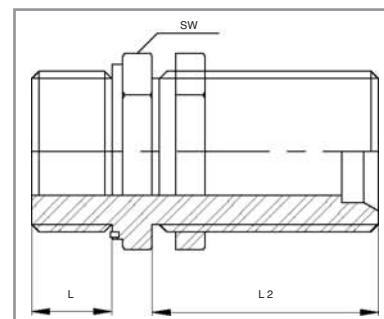
Gewinde	L1	L2	Bestell-Nr.
1/8" ED - 6L Schott	8	SL = 34 mm, verz.	5584
1/8" ED - 8L Schott	8	SL = 25 mm, verz.	5585
1/4" ED - 6L Schott	12	SL = 34 mm, verz.	5592
1/4" ED - 8L Schott	12	SL = 34 mm, verz.	5591
1/4" ED - 8S Schott	12	SL = 27 mm, verz.	5593
1/4" ED - 10L Schott	12	SL = 35 mm, verz.	5590
1/4" ED - 10L Schott VA	12	SL = 35 mm,	5590 A
1/4" ED - 12L Schott	12	SL = 36 mm, verz.	5594
1/4" - 1/4" Schott	12	SL = 27 mm, verz.	5631
1/4" BSP ED - 7/16 JIC Schott	12	SL = 31 mm, verz.	5675
1/4" ED - 13/16 ORFS Schott	12	SL = 36,5 mm, verz.	5656
3/8" ED - 8L Schott	12	SL = 34 mm, verz.	5595
3/8" ED - 10L Schott	12	SL = 35 mm, verz.	5596
3/8" ED - 10S Schott	12	SL = 37 mm, verz.	5597
3/8" ED - 12L Schott	12	SL = 36 mm, verz.	5599
3/8" ED - 12S Schott	12	SL = mm, verz.	5597 B
3/8" ED - 15L Schott	12	SL = 32 mm, verz.	5598
3/8" ED - 15L Schott VA	12	Edelstahl	5598 VA
3/8" - 3/8" Schott	12	SL = 32 mm, verz.	5632
3/8" - 3/8" Schott VA	12	Edelstahl, SL = 32 mm	5632 VA
3/8" ED - 9/16 ORFS Schott	12	SL = 31,5 mm, verz.	5651
3/8" ED - 11/16 ORFS Schott	12	SL = 34 mm, verz.	5652
3/8" BSP ED - 3/4 JIC Schott	12	SL = 37 mm, verz.	5676
1/2" ED - 8L Schott	14	SL = 34 mm, verz.	5600
1/2" ED - 10L Schott	14	SL = 35 mm, verz.	5601
1/2" ED - 10S Schott	14	SL = 37 mm, verz.	5601 A
1/2" ED - 12L Schott	14	SL = 36 mm, verz.	5602
1/2" ED - 12L Schott VA 1.4571	14	SL = 36 mm, verz.	5602 VA
1/2" ED - 12S Schott	14	SL = 38 mm, verz.	5603
1/2" ED - 14S Schott	14	SL = 38 mm, verz.	5603 A
1/2" ED - 15L Schott	14	SL = 38 mm, verz.	5604
1/2" ED - 15L Schott kurz	14	SL = 32 mm, verz.	5562
1/2" ED - 15L Schott VA 1.4571	14	Edelstahl	5604 VA
1/2" ED - 16S Schott	14	SL = 40 mm, verz.	5605
1/2" ED - 18L Schott	14	SL = 40 mm, verz.	5606
1/2" ED - 18L Schott	14	SL = 32 mm verz.	5561
1/2" ED - 20S Schott	14	SL = 44 mm, verz.	5606 B
1/2" ED - 22L Schott	14	verz.	5606 C
1/2" - 1/2" Schott	14	SL = 35 mm verz.	5633
1/2" ED - 9/16 JIC Schott	14		5678 A
1/2" BSP ED - 5/16 JIC Schott	14		5677



# SCHOTTADAPTER

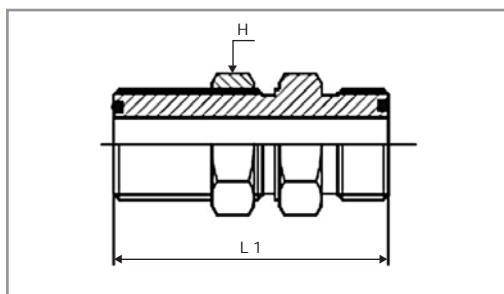
Mit Weichdichtring inkl. Kontermutter

Gewinde	L1	L2	Bestell-Nr.
1/2" BSP ED - 7/8 JIC Schott	14	SL = 41 mm	5678
1/2" ED - 1" ORFS Schott	14	SL = 40,6 mm, verz.	5655
1/2" Form A - 13/16 ORFS Schott	14	SL = 36,5 mm, verz.	5650
3/4" ED - 15L Schott	16	SL = 38 mm, verz.	5606 A
3/4" ED - 16S Schott	16	SL = 40 mm, verz.	5607
3/4" ED - 18L Schott	16	SL = 32 mm, verz. (kurz)	5560
3/4" ED - 18L Schott	16	SL = 40 mm, verz.	5608
3/4" ED - 20S Schott	16	SL = 44 mm, verz.	5609
3/4" ED - 22L Schott	16	SL = 42 mm, verz.	5610
3/4" ED - 22L Schott	16	SL = 44 mm, verz.	5610 A
3/4" ED - 22L Schott VA	16	Edelstahl	5610 VA
3/4" ED - 25S Schott	16	SL = 47 mm, verz.	5611
3/4" ED - 28L Schott	16	SL = 43 mm, verz.	5612
3/4" - 3/4" Schott	16	SL = 38 mm, verz.	5614
3/4" BSP ED - 1 1/16 JIC Schott	16	SL = 45 mm, verz.	5679
3/4" ED - 1- 3/16 ORFS Schott	16	SL = 41,7 mm, verz.	5653
1" ED - 18L Schott	17	SL = 40 mm, verz.	5615
1" ED - 20S Schott	17	SL = 44 mm, verz.	5616
1" ED - 22L Schott	17	SL = 41 mm, verz.	5617
1" ED - 25S Schott	17	SL = 47 mm, verz.	5618
1" ED - 28L Schott	17	SL = 43 mm, verz.	5620
1" ED - 30S Schott	17	SL = 51 mm, verz.	5619
1" ED - 35L Schott	17	SL = 47 mm, verz.	5621
1" - 1" Schott	17	verz.	5634
1" ED - 1- 7/16 ORFS Schott	17	SL = 42,2 mm, verz.	5654
1 1/4" ED - 25S Schott	20	SL = 47 mm, verz.	5625 A
1 1/4" ED - 28L Schott	20	SL = 43 mm, verz.	5625 B
1 1/4" ED - 30S Schott	20	SL = 51 mm, verz.	5625
1 1/4" ED - 35L Schott	20	SL = 47 mm, verz.	5625 D
1 1/4" ED - 38S Schott	20	SL = 53 mm, verz.	5625 C
1 1/4" ED - 1 1/4" Schott	20		5624
1 1/2" ED - 35L Schott	22	SL = 47 mm, verz.	5626
1 1/2" ED - 38S Schott	22	SL = 53 mm, verz.	5627
1 1/2" ED - 42L Schott	22	SL = 47 mm, verz.	5628
M 22x1,5 - 16 S Schott			5671 A
M 22x1,5 Form B - 11/16 ORFS Schott			5671
M 22x1,5 Form B - 13/16 ORFS Schott		SL = 36,5 mm, verz.	5670
M 30x1,5 Form B - 1- 3/16 ORFS Schott			5672
M 30x1,5 Form B - 25 S Schott			5673
5/8" ED - 1- 3/16 ORFS Schott		SL = 41,7 mm, verz.	5657
5/8" ED - 5/8" Schott		SL = mm, verz.	5658



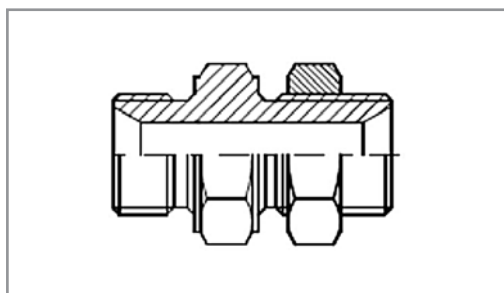
# SCHOTTADAPTER ORFS / SCHOTTADAPTER BSP

## Schottadapter ORFS



ORFS AG	ORFS AG	Bestell-Nr.
9/16" - 18	9/16" - 18	5ADG00S 320 201
11/16" - 16	11/16" - 16	5ADG00S 320 202
13/16" - 16	13/16" - 16	5ADG00S 320 203
1" - 14	1" - 14	5ADG00S 320 204
1 3/16" - 12	1 3/16" - 12	5ADG00S 320 205
1 7/16" - 12	1 7/16" - 12	5ADG00S 320 206
1 11/16" - 12	1 11/16" - 12	5ADG00S 320 207
2" - 12	2" - 12	5ADG00S 320 208

## Schottadapter BSP



BSP	BSP Schott	Bestell-Nr.
1/8"	1/8"	5ADGBBS 310 001
1/4"	1/4"	5ADGBBS 310 002
3/8"	3/8"	5ADGBBS 310 003
1/2"	1/2"	5ADGBBS 310 004
5/8"	5/8"	5ADGBBS 310 005
3/4"	3/4"	5ADGBBS 310 006
1"	1"	5ADGBBS 310 007
1 1/4"	1 1/4"	5ADGBBS 310 008
1 1/2"	1 1/2"	5ADGBBS 310 009
2"	2"	5ADGBBS 310 010